

DMV4 Series KMV Switch for Desktop Systems

The DMV4 family of keyboard, mouse and video switch products can control up to four desktop system

Description

The DMV4 family of products are high-performance 4 port KMV (keyboard, mouse and video) switches that allow a single keyboard, mouse and monitor to control up to four systems.

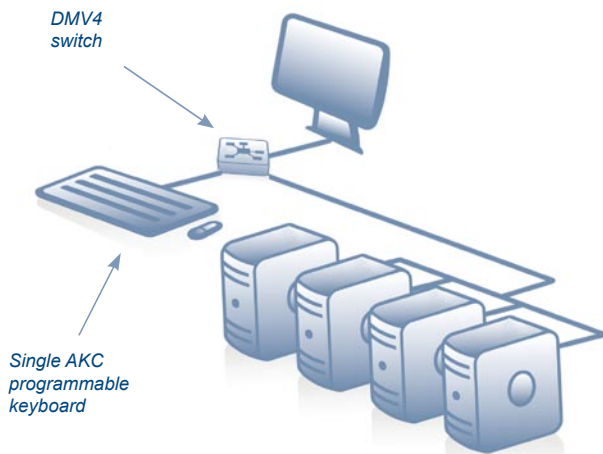
Once connected, all the systems will boot without user intervention and, as they are hardware-only devices, they do not require any software to be installed.

DMV4 switches operate across all operating systems.

Model Outline

Four models exist, suiting all desktop applications:

Model Number	System
DMV4	4 Port PS/2
DMV4USB	4 Port USB / PS/2
DMV4MAC	4 Port MAC
DMV4M	4 Port multi-platform



DMV4 4-port KMV switch

Applications

- Equities, fixed income, FX and SPOT trading
- Airport systems
- Industrial multi-system applications

Features

- 1900 x 1440 / 75Hz SVGA, VGA and XGA supported
- Easy installation – no software required
- Channel selection via hot-key, front panel, mouse or RS232
- Front-panel display indicates selected channel
- Small size – 228mm x171mm x 57mm
- DVI option available

AKC127-K4

When used in conjunction with the Access DMV4 switch, the AKC127-K4 keyboard is designed to control multiple systems with a single keyboard and mouse. The AKC127-K4 stores the keyboard programming in its non-volatile memory, automatically switching the key functionality for up to four systems.



Contact your nearest sales office or go online to www.access-is.com for a datasheet.

Access IS
18 Suttons Business Park
Reading, Berkshire
RG6 1AZ, United Kingdom
Tel: +44 (0) 118 966 3333
Fax: +44 (0) 118 926 7281

Access (North America) inc
PO Box 2569, Peachtree City
Georgia 30269-2569
USA
Tel: +1-770-631-8425
Fax: +1-678-364-8856

Access 
Interfacing Solutions

For further information email: sales@access-is.com or visit our website: www.access-is.com

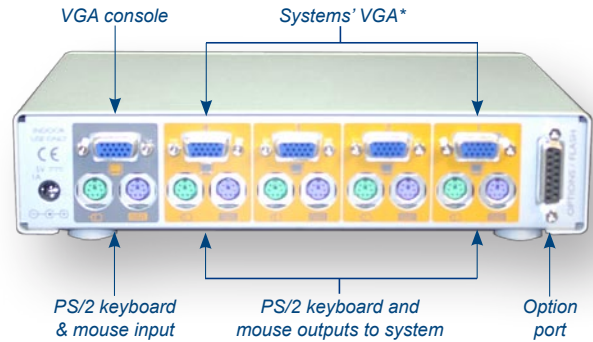
All trademarks acknowledged. Specifications subject to change without prior notice. This literature is for outline information only.

DMV4 - KMV Switch for PS/2 Systems

The DMV4 supports systems which have PS/2 style keyboard and mouse and VGA monitor connection which can be a mix of PCs, RS6000 or Alpha hosts. Computer selection is controlled in four ways:

- using programmable 'hot-key' sequences on the keyboard
- using the front panel push buttons on the DMV4 unit
- using the mouse
- via RS232 link or optional remote control

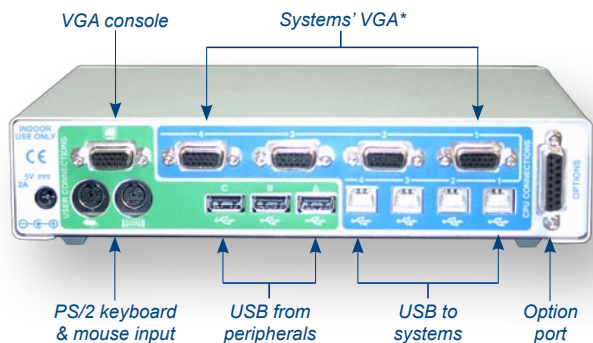
* DVI version also available



DMV4USB - KMV Switch for USB Systems with PS/2 input option

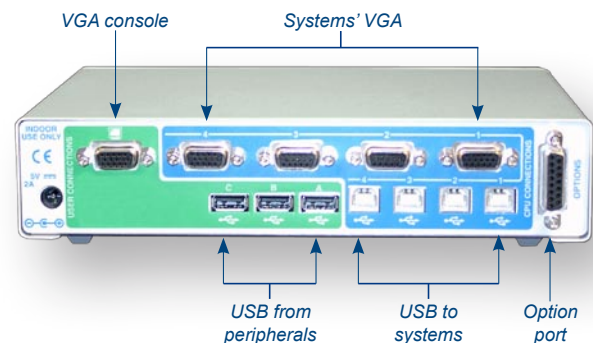
The DMV4USB control up to four systems which have USB style keyboard and mouse and VGA monitor connection. These can be a mix of PCs and MACs. The integrated three Port USB hub also allows three USB peripherals to be shared between the systems. Channel selection via front panel and by hot key or mouse with PS/2 keyboard and mouse.

* DVI version also available



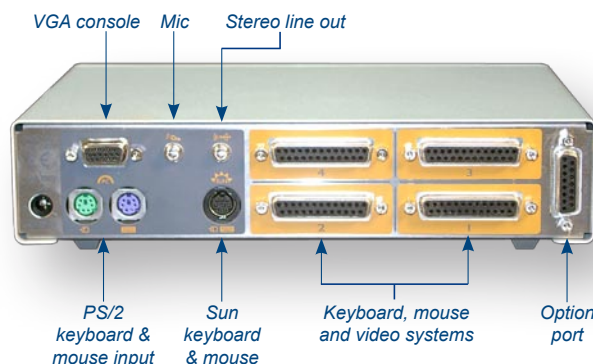
DMV4MAC - KMV Switch for USB Systems

The DMV4MAC is a reduced version of the DMV4USB and is intended for MAC switching applications although it operates equally well with USB enabled PCs. The DMV4MAC also has an integrated three Port USB hub which allows three USB peripherals to be shared between the systems. Channel selection is via the front panel.



DMV4M - KMV Switch for Multi-Platform Users

The DMV4M is intended for users who run mixtures of hardware platforms and want the convenience of a KMV switch for their desktop. It supports PS/2, SUN® and USB keyboard and mouse interfaces and converts the keyboard and mouse protocols to those required by the connected computers. Users can choose PS/2, SUN or USB input devices. System cables are available to suit the different host types. The DMV4M provides switching for microphone and stereo line output. It is flash-upgradeable for convenient future software upgrades. There are two versions: DMV4MS for PS/2 and Sun switching; and DMV4MU for PS/2, SUN and USB.



Access IS
18 Suttons Business Park
Reading, Berkshire
RG6 1AZ, United Kingdom
Tel: +44 (0) 118 966 3333
Fax: +44 (0) 118 926 7281

Access (North America) inc
PO Box 2569, Peachtree City
Georgia 30269-2569
USA
Tel: +1-770-631-8425
Fax: +1-678-364-8856

Access IS
Interfacing Solutions

For further information email: sales@access-is.com or visit our website: www.access-is.com

All trademarks acknowledged. Specifications subject to change without prior notice. This literature is for outline information only.