

MSR32x Series ATB2 and Credit Card Reader

Credit card and ATB2 airport boarding pass reader.

Description

The Access IS MSR32x performs bidirectional reading of ticket and boarding pass coupons to IATA ATB2 722C format and ISO 1, 2 and 3 track credit cards.

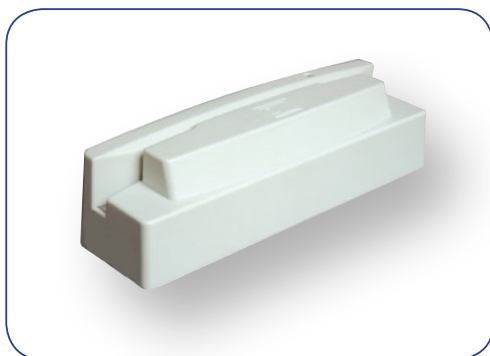
The reader gives reliable reads at fast and slow swipe speeds and is very easy to use. For long life and reliability, the document transport slot is steel with smooth support buffers to guide the document through the reader.

The reader is available with a USB or RS232 interface with a variety of host protocol interfaces. The firmware can be quickly adapted to support non-standard cards such as loyalty or frequent flyer types.

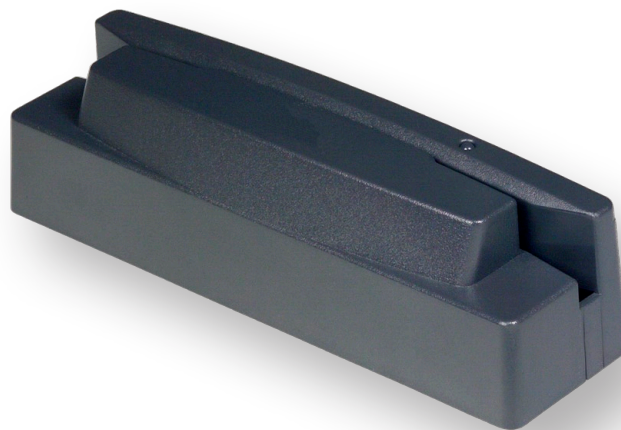
Advanced decode circuitry and firmware give reliable and accurate reads of all information recorded on the coupon or card.

Applications

- Check-in and boarding gate document and card reading
- Duty-free point of sale



MSR32x reader in cool white



MSR32x card and boarding pass reader

Features

- Interfaces to most popular systems
- IATA ATB2 T1, T2, T3 & T4
- Accepts ISO 1, 2 & 3 track credit cards
- Visible & audible good and bad read indication
- USB or RS232 serial interface
- Long-life magnetic head
- Bidirectional swipe reader
- Wide range of swipe speeds
- Stainless steel document guide
- Robust construction
- Cool white or dark grey colour
- Non-slip feet
- Auto discriminates track density

Access IS
18 Suttons Business Park
Reading, Berkshire
RG6 1AZ, United Kingdom
Tel: +44 (0) 118 966 3333
Fax: +44 (0) 118 926 7281

Access (North America) inc
PO Box 2569, Peachtree City
Georgia 30269-2569
USA
Tel: +1-770-631-8425
Fax: +1-678-364-8856

Access 
Interfacing Solutions

For further information email: sales@access-is.com or visit our website: www.access-is.com

All trademarks acknowledged. Specifications subject to change without prior notice. This literature is for outline information only.

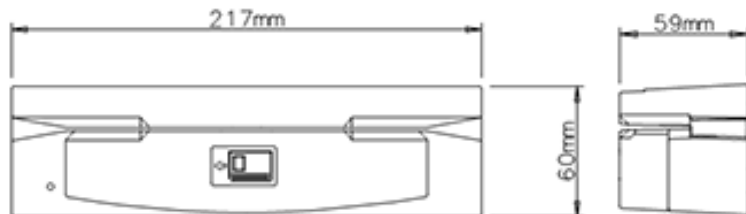
Product Selector

There are four standard models in the MSR32x range offering a choice of two colours and two interface options. All models include LED / audible read indicator and the capability to read credit cards and ATB2-style boarding passes.

Further product variations are available on request: please contact our sales department to discuss your particular requirements.

Part Number	Cool White	Dark Grey	RS232	USB
MSR320	Yes		Yes	
MSR321		Yes	Yes	
MSR322	Yes			Yes
MSR323		Yes		Yes

Dimensions



MSR32x Series Readers

Specifications

Read capabilities

Travel documents: Bidirectional read ticket and boarding pass coupons conforming to IATA Resolution 722E

Credit cards: Card data conforming to ISO 7811/2-5

General

Colour: Cool white or dark grey

Dimension: 217W x 60D x 59H mm

Weight: 0.65 kg

Cable length: 2.5 m

Interfaces

Host interface - MSR320/321: Bidirectional, RS232 by 9-way D-type

Host interface - MSR322/323: USB 1.1

Electrical specifications

Power requirement: +5 VDC 80 mA

Power supply: MSR320 & MSR321 powered by power stealer connected to serial port (cables supplied); MSR322 & MSR323 USB port powered

Environmental

Operating temperature: 0°C to 50°C

Storage temperature: -20°C to 60°C

Approvals

Safety: UL 1950 /IEC950

RF/EMI: EN 55022 Class B, FCC Part 15, Subpart B, class A, BSMI EMC Class B

Access IS
18 Suttons Business Park
Reading, Berkshire
RG6 1AZ, United Kingdom
Tel: +44 (0) 118 966 3333
Fax: +44 (0) 118 926 7281

Access (North America) inc
PO Box 2569, Peachtree City
Georgia 30269-2569
USA
Tel: +1-770-631-8425
Fax: +1-678-364-8856

Access IS
Interfacing Solutions