

OCR500 Insertion Passport Reader for Kiosks

Access' OCR500 is the first purpose designed passport reader for kiosk integration.

Description

The OCR500 passport reader is an insertion document reader designed for self-service applications where fast reliable passport and VISA travel document data capture is required.

Once a document is inserted face down, the reader gently clamps the document. The holding force is sufficient to alert the user that a read is in progress and prevents document movement during image capture. The OCR500 reads accurately and quickly first time and is simple to use for untrained or inexperienced users.

The clamp action and the status light gives the user direct tactile and visual feedback, making the OCR500 the easiest and most reliable passport reader in its class.



OCR500 kiosk reader with passport inserted



OCR500 reader in a typical check-in kiosk

Applications

Dedicated kiosk and CUSS (Common User Self Service) airline passenger check-in, boarding gate and immigration passport reading.

Features

- Most airline hosts supported
- Reads Machine Readable Passports, visas and travel cards conforming to ICAO Document 9303
- One second read time
- Intuitive to use and suitable for use by the general public
- Supports extended host commands to enable status query, read notification, LED control (on/off/flash and red/green) and mode control (Auto/Host Control)
- Fully serviceable and easy to maintain: supports daily health check by insertion of service card

Access IS
18 Suttons Business Park
Reading, Berkshire
RG6 1AZ, United Kingdom
Tel: +44 (0) 118 966 3333
Fax: +44 (0) 118 926 7281

Access (North America) inc
PO Box 2569, Peachtree City
Georgia 30269-2569
USA
Tel: +1-770-631-8425
Fax: +1-678-364-8856

Access 
Interfacing Solutions

For further information email: sales@access-is.com or visit our website: www.access-is.com

All trademarks acknowledged. Specifications subject to change without prior notice. This literature is for outline information only.

Features in More Detail

Passport reader

- Based on proven Access IS proprietary digitiser and OCR decoder technology
- Reads Machine Readable Passports, visas and travel cards conforming to ICAO Document 9303
- One second read time
- Passport gently clamped during read process
- Red and green bezel status bar indicator

Enclosure

- High impact bezel for panel mounting
- Rugged steel case
- Multiple mounting options
- Removable service cover for ease of routine maintenance
- Smooth document guide

Service features

- Fully serviceable and easy to maintain

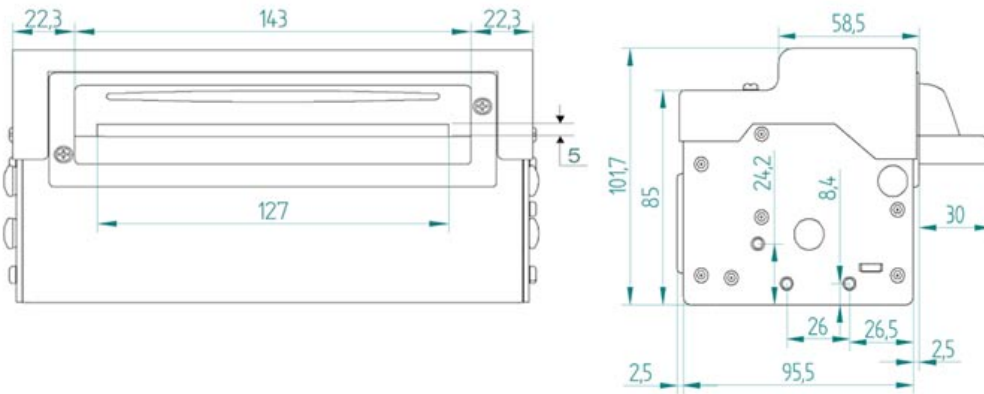
Service features (continued)

- Supports daily health check by insertion of service card. Status reported by light bar. No host interaction required.

Host system interface

- Simple reader control protocol
- Emulations for most popular systems
- Optional USB or RS232 serial interface
- FLASH upgradeable software

Nominal Dimensions



OCR500 Insertion Passport Reader

Specifications

Mechanical

Dimension: 193W x 102H x 101D mm without bezel; 193W x 102H x 131D mm with bezel

Weight: 3.0 kg

Interfaces

Host interface: Bidirectional USB or RS-232 via serial-to-USB converter

Electrical specifications

Power requirement: +12VDC

Current consumption: 2.0A

Approvals

Safety: UL 1950 /IEC950

RF/EMI: EN 55022 Class B, FCC Part 15, Subpart B, class A

Environmental

Operating temperature: 0°C to 50°C

Storage temperature: -20°C to 60°C

Access IS
18 Suttons Business Park
Reading, Berkshire
RG6 1AZ, United Kingdom
Tel: +44 (0) 118 966 3333
Fax: +44 (0) 118 926 7281

Access (North America) inc
PO Box 2569, Peachtree City
Georgia 30269-2569
USA
Tel: +1-770-631-8425
Fax: +1-678-364-8856

Access IS
Interfacing Solutions