

TICKET READERS

ATR200 - TripTick®

Barcode Reader

Any Ticket...One Reader

The state-of-the-art TripTick® reader series includes options for; barcode reading, NFC/RFID and barcode reading, and contactless EMV payments, NFC/RFID and barcode reading.

The ATR200 is designed to read 1D/2D barcodes from mobile phones, tablets, wearables and paper in any orientation. It offers operators the ultimate no-nonsense installation. Its small footprint, low profile slot-in design enables easy integration into kiosks, ticket machines, turnstiles and access gates.



Power Over Ethernet

An option for Power over Ethernet (PoE) allows installation without a dedicated power supply. The device is also capable of RS422 connection at up to 1500m.



Proven Heritage






TripTick retains the key aspects of the size and shape of our proven LSR116 and LSR118 products, however its design delivers a significantly increased active scan area to further improve barcode reading performance.

TripTick's optimised imaging ensures read reliability and high-speed performance; capturing and decoding all popular linear, PDF417 and 2D symbologies.



Device Features

Connection Types

-  USB
-  Ethernet
-  RS232
-  RS485
-  Power over Ethernet

Technology

-  Barcode

Features

Barcode Reading

Reads 2D, PDF417 and linear symbologies

IP67 Sealed

Front face sealed for integration into indoor/outdoor kiosks, podiums & gates

Reads Any Media

Optimised focal distance design improves read performance for all media

Low Profile & Simple Installation

Only 36.9mm high with single cable connection to host

Connection Options

USB (HID, serial or keyboard), RS232, RS485, Ethernet interface options

Power over Ethernet

Option for Power over Ethernet (PoE)

UltraGlass®

Upgraded glass option for extreme environments

Applications

- Self-service kiosks and ticket vending machines
- Retail voucher redemption and loyalty cards
- Access control gates & turnstiles for stadia, building access & transportation
- Car park ticket machines and automatic barriers
- Casino & TITO gaming

Barcode Symbologies Read

Linear: EAN, UPC, Code 2 of 5, Interleaved 2 of 5, IATA 2 of 5, Code 39, Code 128

2D: PDF417, Aztec, DataMatrix and QR codes

Media types read: Smartphone/tablet/smartwatch displays & paper tickets

Interface

USB composite device, with:

- HID, CDC Serial or Keyboard interface for barcode reading
- Serial device (RS232/RS422/RS485)
- Ethernet
- PoE (Power Over Ethernet)

Mechanical

Size (WxDxH): 106.3 x 103.1 x 36.9mm (main unit)

Weight: 250g

Body: Black PC/ABS

Glass: 4mm Toughened White Soda Lime; BS EN60068-2-75 & IEC 62262:2002, rated to 3.5J impact

MTBF: 250,000 hours

Power Supply

- ATR200 (USB): Via USB
- All other variants: Via ext. 5v PSU

Environmental

Temperature:

Operating: -20°C to 60°C

Storage: -30°C to 80°C

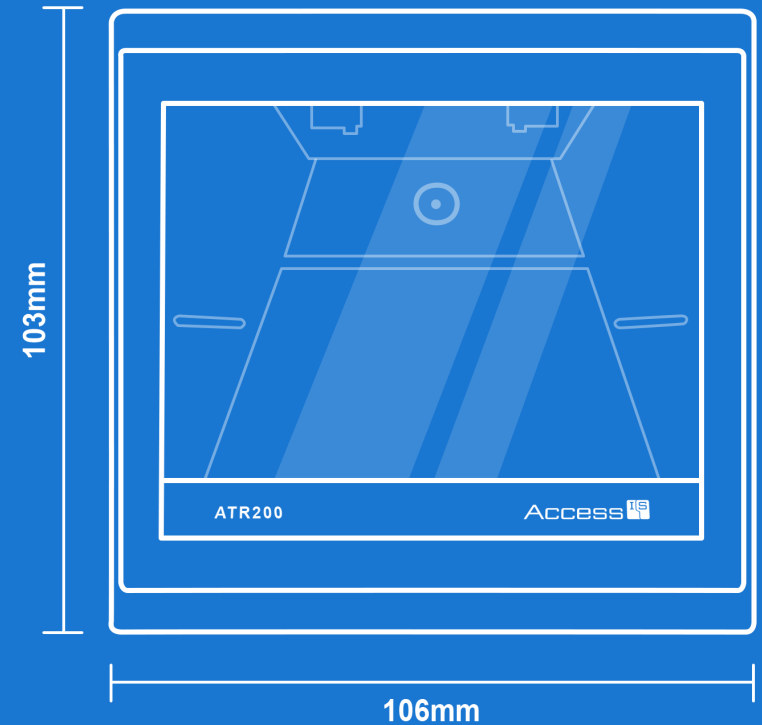
Humidity: 95% RH, non-condensing

Approvals

EMC Approvals: FCC 47CFR Part 15 Subpart B Class A, EN 55032 Class B, EN 55024

Safety: IEC 62471: 2006
EN 60950-1:2006+A12:2011

Ingress: Front Face ONLY - IP67 certified to BS EN 60529:1992



Get In Touch

You can get in touch via our website at access-is.com or by phone and email:

+44 118 966 3333 sales@access-is.com