

ID DOCUMENT READERS

OCR601

Half page MRZ reader for passports, ID cards and contactless cards

Accurate and Fast

The OCR601-MK2 is a machine readable zone (MRZ) data reader with RFID functionality, to simultaneously decode the contents of an ePassport or contactless smart card.

The OCR601-MK2 automatically detects when a document with machine readable data has been inserted and its advanced recognition engine provides highly accurate and instant data capture and decoding.



Simultaneous Captures and Processes

By integrating the contactless RFID reader/writer the device simultaneously and efficiently captures and processes data fields, including the holder's image, from the chip. This combined functionality provides a robust and cost-effective alternative to full-page, multi-illumination ID scanners such as the ATOM® Document Reader.



Easy Integration

The compact, robust design enables easy integration into self-service kiosks and gates, or use as a desktop device. Its rugged manufacturing ensures years of indoor and outdoor, frontline, public use.



Device Features

Connection Types

USB

Technology

NFC / RFID

OCR / MRZ

Reader Size

Half Page

Features

Single action

ePassport MRZ and chip reading are carried out simultaneously

Instant Response

High-speed recognition engine for instant detection/reading

Low cost alternative

Offers a cost effective alternative to full-page, multi-illumination scanners

Audio Feedback

Programmable audio 'beep' for user feedback

Documents Read

Reads MRZ from ICAO 9303 compliant documents as well as ISO 18013 compliant driving licences

Contactless RFID reader

Option for ISO 14443 reader/writer supports ICAO LDS standards, including BAC, PA, AA, EAC and SAC

Applications

- Border control and immigration
- Document issuance (passport, visa, etc.)
- Kiosks and self-service auto eGates
- Airport passenger data
- Hotels & hire car registration
- Identification verification

OCR Reading Capabilities

ICAO compliant travel documents in near infrared (IR) per ICAO 9303 specification Parts 1-4 (2- and 3-line MRZ)

Near ICAO compliant travel documents (e.g. French ID)

ISO-18013 driving licences (1-line MRZ)

Imaging

Active scan area: 132mm x 30mm

Illumination source: Near IR B900, 880nm

Resolution: 235 DPI

Image Capture: (Half-page) JPG, BMP, TIFF, PNG

Contactless RFID Reading

Interoperability: ICAO DOC 9303, LDS1.7, ISO18013 (Driving Licence), PA, AA, BAC, EAC v1.11 (CA, TA), EAC v2.0x (PACE v2, ICAO SAC, CA v2, TA v2)

Operating frequency: 13.56 MHz

Supported documents: ISO 14443 type A & B auto-detecting; secure and high-speed data transmission; Mifare memory card support (Mifare ultralight, 1K, 4K cards)

App. interface: PC/SC compliant device

Communications & Host

Communication: USB 2.0 high speed

Host: Windows 7 and above, Win 32/64 bit; Pentium-4 3GHz and 2GB RAM min

Mechanical

Size (WxDxH): 156 x 200 x 57mm

Body: Dark Grey ABS

Weight: 860g

Max. Document Width 132mm

Power

Input voltage: +5VDC via DC jack

Cable: Detachable host cable

Environmental

Temperature:

Operating: 0°C to 50°C

Storage: -20°C to 60°C

Humidity: 0 to 95% non-condensing

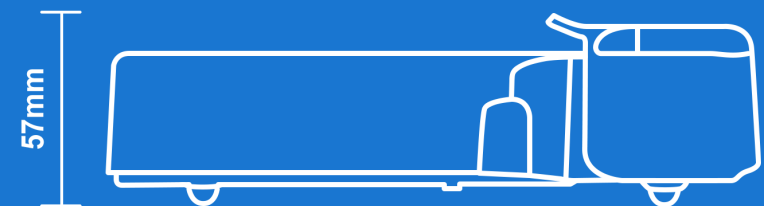
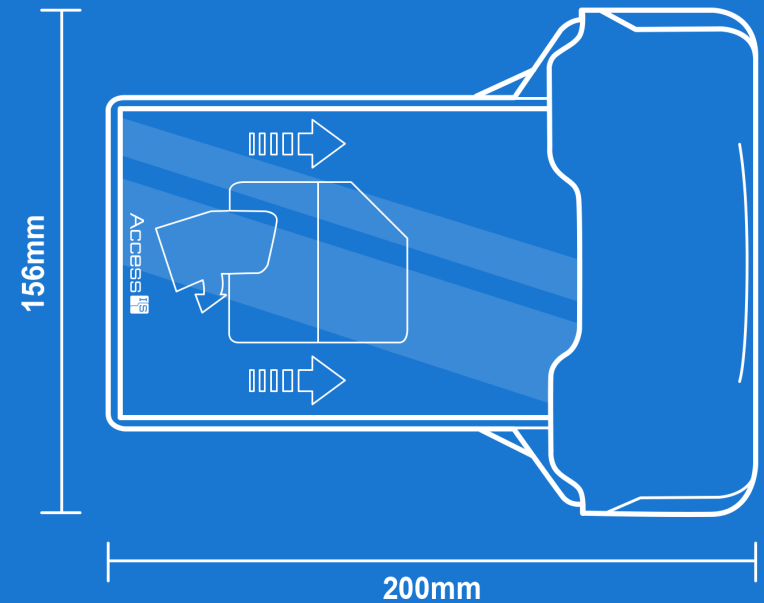
Approvals

Safety: FCC Part 15C Class A

CE EMC directive

CE Low Voltage Directive

IEC 60950-1:2005 (2nd Edition)



Get In Touch

You can get in touch via our website at access-is.com or by phone and email:

+44 118 966 3333 sales@access-is.com